



E-Core Wood & AluCo-Wood

is an environmental friendly material
which uses high-tech production technology,
enhances with stability of products and emphasizes on continuous
Environmental Protection.



鋁新木®
AluCo-Wood

PRODUCT DESCRIPTION

格柵天花
牆板|屋頂板
戶外地板
欄杆|柵欄
景觀照明系列
花架|廊架
涼亭
陽光房
玻璃帷幕
小木屋

Grille Ceilings
Wall Panels | Roof Panels
Outdoor Decking
Railing | Fence
Landscape lighting Series
Pergola
Gazebo
Conservatory
Glass Curtain
Chalet

通過食品容器等級8項塑化劑 檢驗合格

Tested Accordance To Food Safety Testing Regulation For
8 Types Of Plasticizer With Results Complied To Standard

通過SGS檢測不含甲醛

Tested Accordance To Sgs Testing And
Formaldehyde Content Complied To Standard

通過SGS檢測不含鉛

Tested Accordance To Sgs Testing And
Lead Content Complied To Standard

AluCo-Wood

CONTENTS

- 02 前言
- 04 鋁新木介紹
- 06 SGS檢測
- 08 產品特性
- 10 型材介紹



- 14 格柵系列
格柵天花
外牆遮陽
遮陽門窗
百頁



Grille Series

- 17 牆板系列



Wall Panel Series

- 21 欄杆系列
柵欄
圍籬



Railing Series

- 23 花架系列



Trellis Series

- 20 地板系列
樓梯踏板
露營平台



Decking Series

- 25 涼亭廊架系列
玻璃帷幕
陽光房



Gazebo, pergola Glass Curtain, conservatory

- 27 景觀照明系列



Landscape Lighting Series

- 29 戶外家具



Outdoor Furniture

- 31 綜合應用
戶外大門
格柵門
電動滑門
指示牌
花箱



Comprehensive Application

Pergola Chalet



Villa hotel
Vacation hotel
Thailand
China



他牌塑木安裝案例
Installation defects from other brands of WPC

二十多年來塑木(WPC)的發展歷史，一直在討論兩種材性(木材+塑料)之間的關係，藉以創造一種全新的原物料來取代純木或純塑。但一直無法突破塑化產品的熱塑問題，使得WPC材料處於一種不穩定的使用狀況，而退縮了WPC的應用發展。

當眾多塑木品牌出現在市場上，沂可木 E-Core Wood 努力擺脫塑膠產品的形象與質感而脫穎而出，但在戶外應用實例卻比不上木材的多變性及施工的便利性尤其是結構問題。產品穩定性、安裝施工便利性困擾著使用者，我們形容為有皮無骨的建材。為解決結構性不足，變形等問題，眾多塑木品牌利用WPC中空腔體特性，在結構樑柱等中空位置加入高強結構性的材質，如鋼鐵鋁木等。雖然解決了WPC的結構強度問題，因為施工界面不同需跨不同工種及工具，來完成一工程，因此產生時間、人工、五金...等成本增加。

For the past 20 years, the history for development of wood composite materials had been evolving around the discussion in the properties and relationship of two types of materials - wood & polymers and how to create a new and durable material to substitute them. But there is little break through to solve some of the problems found in thermoplastics. The continuous usage of wood composites in these unstable conditions had limited the continuous development in applications.

There are many different wood composite brands and materials available in the market. E-Core

Wood, with its unique woods like surfaces and does not look like plastics, has been an outstanding alternative to wood. But although relatively easy to use, its application is still not comparable to the versatility of wood and wood application in the building and construction industries. Product stability and ease of installation are main issues with the users. This generation of products are term with skin but no structure.

Due to insufficient strength and product deformation problems, many different wood composite brands add high-strength structural materials such as iron, steel, aluminium and wood through the hollow cavity of wood composite materials. While addressing the issue of structural strength in the wood composite, because wood and metal are handled by different trade specialist and different types of construction interface, tools may be required to use. To complete the project, the duration, labour and hardware may vary greatly and result in the increase in cost.

1. 本手冊所提供之設計圖，僅供參考！有任何設計、工法安裝的疑問歡迎與本公司單位業務聯繫。
 2. 鋁新木為科技複合性材料，尺寸公差為2%。
 3. 本系列產品（環保木材）因保留較高木分子，因此容許與實木相近之紋理色差。
 4. 請慎防非鋁新木產品中因重金屬、塑化劑超標，而對您的健康及環境造成傷害。
 5. 免責條款：(1)安裝於使用區域溫度應低於65度 (2)人為損壞現象，如刮痕、烘烤、塗汗...等
(3)自然災害，如冰雹、暴風、雷擊等。(4)因運輸過程、裝卸不當或現場存放高低不均造成損害 (5)因安裝工法不當造成之損害
- 1.The drawings provided in this manual are for reference only! If you have any queries on design and installation, you are welcome to contact our company and business unit.
2.AluCo wood is wood plastic composite and dimensional tolerance is 2%.
3.AluCo wood consists of high wood powder with molecular polymerization,thus similar to natural wood with texture and colour differences.
4.please beware of non authentic AluCo wood products which contain excessive heavy metals and plasticizer contents,which are harmful to your health and the environment.
5.Disclaimer : (1)Used and Installed in region where temperature should be less than 65 degrees Celsius (2)Damages caused by human negligence such as scratches, fire, stain etc
(3)Natural disasters such as ice hail, storm, thunder & lightning etc. (4)Damages caused by improper handling during transportation and onsite storage on uneven ground
(5)Damages caused by improper installation or failure to follow the installation instructions supplied with the Products

INTRODUCTION

Exterior Grille Facades

Commercial space

Villa hotel

private house

Malaysia

Singapore



鋁新木® AluCo-Wood

同為擠出成型的工業化產品，主要讓兩種不同特性的材質可以互補所需，更可以互相緊密結合成為一種新型材料，而鋁是輕金屬、質輕密度低，鋁木複合後在安裝施工上的應用與塑木安裝差異性低，工具要求類似不跨工種施工，解決過去同一工程需不同工種(鐵工+木工)完成的工資成本增加問題。由於採用嵌合式安裝，施工後完成面效果佳同時解決結構安裝，穩定性等WPC本質上的問題，更能大幅降低成本，是一全新型態高效能產品。

本系統原創理念的中心思考為 - 保留木材質感與觸感的前提下將鋁新木系統型材成為木材或鋁材一樣的原材料，使用者可以依需求選擇標準尺寸規格的鋁木原材料做設計或施工成各種產品，如：遮陽格柵、牆面、天花造型、欄杆、花架、傢俱...等所有木材可做成的產品。

Aluminium is a light and low density material. Aluminium and wood composite materials both use extrusion to form the industrial products. Although both are very different materials with very different characteristics, when apply together, these very different characteristics will form a new material - 'AluCo Wood' with complementary characteristics. 'AluCoWood' can be used similar to wood composites but its applications are very much wider because the tools and accessories required for installation are common cross the board. This addresses the past which using different materials, methodology (metal + wood) and their cost increased problems. Because the aluminium and wood composite in 'AluCo Wood' are embedded together, the finishes after installation not only provide a very good surface effect and at the same time, the material addresses the past wood composite unstable issues. These highly efficient and stable products significantly reduce in costs.

Based on our original system concept ideas - For future development, the design for other systems will centre around this original concept, retaining the texture and visual of wood in the wood composite and embedding with aluminum profiles. The customers could use the standard products and design new system base on the individual requirement in terms of dimension, size, shape and installation such as sun shade, wall decoration, ceiling, pergola, furniture... etc and any products which are made of wood.

本公司所有產品、五金配件及專業安裝施工方式，皆受多國相關法律保護，如有需求請向杉澤國際洽詢。

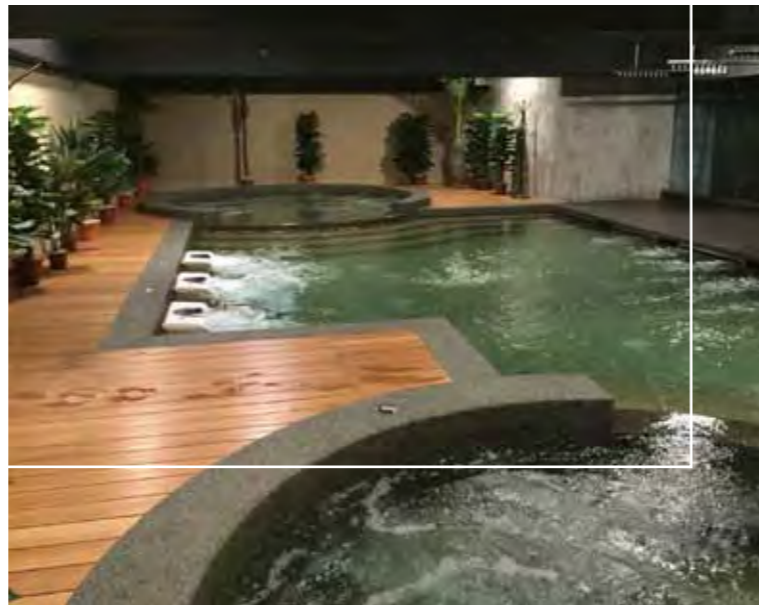
Copyright © Woodeasy International Co., Ltd. All rights reserved.

All copyright and other intellectual property rights in all products, hardware accessories, professional installation, construction methods and manuals are owned by Woodeasy International Co., Ltd and protected by relevant laws from respective countries. If you have any queries, please do not hesitate to contact Woodeasy International Co., Ltd

Outdoor Decking



- University school
- Villa hotel
- Top floor space
- SAP Salon
- Cambodia
- Malaysia



SGS 檢測資訊

WPC Testing 塑木 檢測

- Formaldehyde(Mg/L) 甲醛 : not detected 未檢出
- Lead content(mg/kg) 鉛含量: not detected 未檢出
- Eight plasticizer content 八項塑化劑含量(%) : not detected 未檢出
- Acid resistance test 耐酸性: Surface no influence 表面無影響
- Alkali resistance test 耐鹼性: Surface no influence 表面無影響
- Flame Retardant Performance 防焰測試: Flame Rated 防焰等級
- Weather test UV exposure 600h 耐紫外線性試驗 : colour difference 色差(ΔE)≤3 :
No crack and chalking on exterior of product 外觀/無龜裂及粉化現象
- Salt Spray Test 鹽霧測試 : No surface corrosion phenomenon 表面無腐蝕現象產生

以上檢測數據如有異動，恕不另行通知，請依最新資訊為準！
The above testing data are subjected to change without notice, the latest testing data should prevail!



AluCo Wood Series Bending failure load (kgf) CNS2215(2012) 鋁新木系列彎曲破壞載重

Model	Test Results 測試結果
M6040	>220 kgf
H6080	Vertical立放 >450 kgf ; Horizontal橫放 >750 kgf
S6080	Vertical立放 >450 kgf ; Horizontal 橫放>1200 kgf
M40100	>580 kgf
H40200	>1000 kgf
M12050	Face up正面向上>480 kgf ; Face down正面向下 >750 kgf
S120100	>2000 kgf
M12060	>550 kgf
S120120	>2200 kgf
S60100	>900 kgf



鋁新木特點

美觀激升

- ◆獨特的木質美感與紋路觸感。
- ◆顏色有著接近自然木色的細緻變化。
- ◆隱藏五金配件，視覺美化效果。
- ◆解決傳統鋁烤木紋漆的不自然感。
- ◆產品種類多元，設計無限。

環保安全

- ◆防水、防腐、防白蟻。
- ◆防焰、具阻燃特性。
- ◆耐酸鹼(適用於溫泉飯店、游泳池畔、浴室)。
- ◆具有優良的耐候性、不變質、不開裂、不脆化。
- ◆通過SGS檢測不含甲醛、鉛並通過食品容器級8項塑化劑檢驗合格。

聰明節能

- ◆提昇鋁合金型材的隔熱，保溫節能功效(降低熱傳導率)。
- ◆品質穩定，使用年限長，減少資源浪費。
- ◆格柵系列同時滿足開窗、通風、高採光並減少風壓與遮陽節能的效果。
- ◆地板系列有效吸收紫外線、輻射熱、減少陽光反射的不適感。

施工簡易

- ◆拍合式結構安裝施工簡易、迅速。
- ◆可釘、可刨、可鋸...安裝簡易，降低施工成本，經濟實惠。
- ◆低維護費用。
- ◆可上漆維護(有別於其它塑木)。

Vibrant beauty



Environmental Safety



Easy Installation



Smart Energy Saving



Vibrant beauty

- ◆Unique wood grain texture, appearance resembles the beauty and aesthetic of natural wood.
- ◆Weathering changes of color resemble closely to natural wood.
- ◆Conceal hardware accessories, provide aesthetic visual effects.
- ◆Solve the unnatural appearance of traditional aluminum stained ...and powder-coated wood colour paint surfaces.
- ◆Large range of product categories, unlimited in design.

Environmental Safety

- ◆Water resistance, corrosion resistance .
- ◆Fire and flame retardant properties.
- ◆Resistance to acid & alkali (suitable for application in spa, swimming pool, bathroom).
- ◆Superior weatherability, do not deteriorate, crack or brittle.
- ◆Tested accordance to SGS testing with formaldehyde and lead contents complied to standard and tested accordance to Food Safety Testing .Regulation for 8 types of Plasticizers with results complied to standard.

Smart Energy Saving

- ◆Promote energy-saving effect with thermal insulation and heat preservation properties of aluminum profiles (lower thermal conductivity).
- ◆Stable quality, long service life, reduce wastage of resources.
- ◆Sun shade grilles series satisfy window opening, ventilation, sufficient level of sun lighting, allowing high wind pressure reduction and shading effect, .enhance energy-saving.
- ◆Decking series effectively absorb ultraviolet light & radiant heat, reducing discomfort from reflection of sunlight.

Easy Installation

- ◆Clip-on structure make installation simple, fast.
- ◆Can nail, plane, saw ... easy to install, reduce ...installation costs, economical and affordable.
- ◆Low maintenance costs.

M6040 | M6050

07 24 25

格柵 | 造型飾板 | 造型天花



M6040

尺寸：60mm x 40mm

M6050

尺寸：60mm x 50mm

長度：300cm | 360cm

邊蓋 Side cover | CM6040



Range of application :
Grille, Decorative Trim Moldings, Ceiling Moldings,
etc. ...

M6040 Dimension : 60mm x 40mm
WPC decorative articles 6040 x 1
Aluminum base M60 x 1

M6050 Dimension : 60mm x 50mm
WPC decorative articles 6050 x 1
Aluminum base M605 x 1

Length : 300cm 、 360cm

H6080 | S6080 | S60100

07 24 25

外遮陽 | 小柱 | 小樑 | 欄杆



H6080 | S6080

尺寸：60mm x 80mm

S60100

尺寸：60mm x 100mm

長度：300cm | 360cm

邊蓋 Side cover | COH60100
邊蓋 Side cover | COH6080
修飾邊框 Edge cover | CT6080



Range of application :
Exterior Sunshade, Small Columns, Small Beams,
Railing, etc.

H6080 Dimension : 60mm x 80mm
WPC decorative articles 6040 x 2
Aluminum base H60 x 1

S6080 Dimension : 60mm x 80mm
WPC decorative articles 6040 x 2
Aluminum base S60 x 1

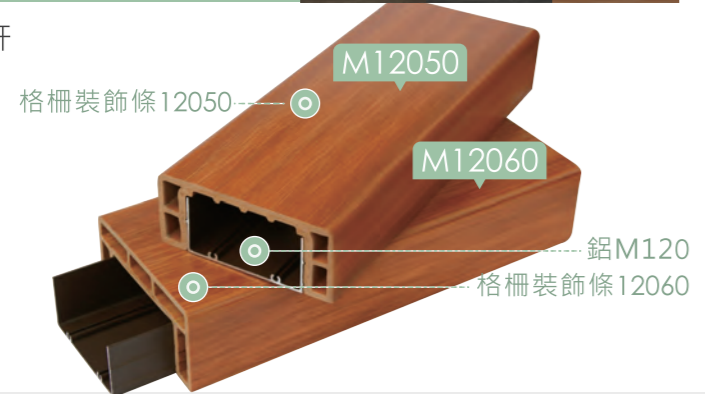
S60100 Dimension : 60mm x 100mm
WPC decorative articles 6050 x 2
Aluminum base S100 x 1

Length : 300cm 、 360cm

M12050 | M12060

07 24 25

大型遮陽系統 | 造型牆 | 欄杆



M12050

尺寸：120mm x 50mm

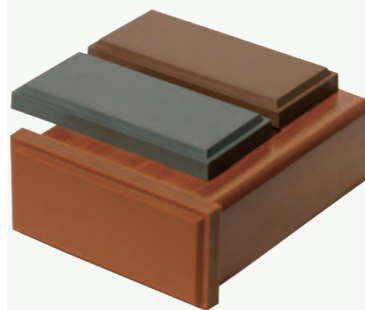
長度：300cm

M12060

尺寸：120mm x 60mm

長度：300cm | 360cm

邊蓋 Side cover | CM12050



Range of application : Large Sunshade System,
Wall Cladding, Railing, etc.

M12050 Dimension : 120mm x 50mm
Length : 300cm
WPC decorative articles 12050 x 1
Aluminum base M120 x 1

M12060 Dimension : 120mm x 60mm
Length : 300cm 、 360cm
WPC decorative articles 12060 x 1
Aluminum base M120 x 1

M40100

07 24 25

外遮陽 | 造型牆 | 天花 | 拉樑等..



M40100

尺寸：40mm x 100mm

長度：300cm | 360cm

邊蓋 Side cover | CM40100



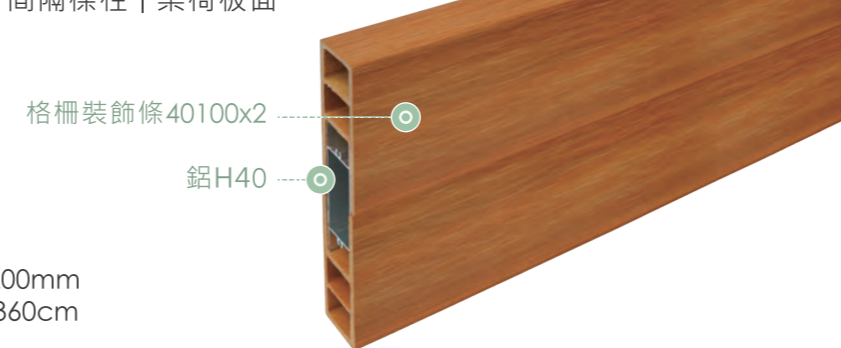
Range of application : Exterior Sunshade, Wall
Cladding, Ceiling, Beams etc.

M40100 Dimension : 40mm x 100mm
Length : 300cm 、 360cm
WPC decorative articles 40100 x 1
Aluminum base M40 x 1

H40200

07 24 25

大型遮陽系統 | 間隔樑柱 | 桌椅板面



H40200

尺寸：40mm x 200mm

長度：300cm | 360cm

修飾邊框 Edge cover | CT40200



Range of application : Large Sunshade, Beam
Column, Tables, Chairs and Board Surface etc
.....

H40200 Dimension : 40mm x 200mm
Length : 300cm 、 360cm
WPC decorative articles 40100 x 2
Aluminum base H40 x 1

M8014

07 09 20 24 25 26

桌椅板面 | 遮陽百頁 | 格柵



M8014

尺寸：80mm x 15mm(含鋁)

長度：300cm

Range of application : Chairs and Board
Surface , Adumbal Louver, Grille etc

M8014 Dimension : 80mm x 15mm (Contains
aluminum)
Length : 300cm
WPC decorative articles 8014 x 1
Aluminum base M80 x 1

EWP-180U | EWP-100W

戶外牆板

EWP-180U

尺寸：203mm x 25mm
有效寬度：189mm-平面式
175mm-疊式

EWP-100W

尺寸：122mm x 16mm
有效寬度：105mm
長度：300cm

格柵裝飾條EWP180

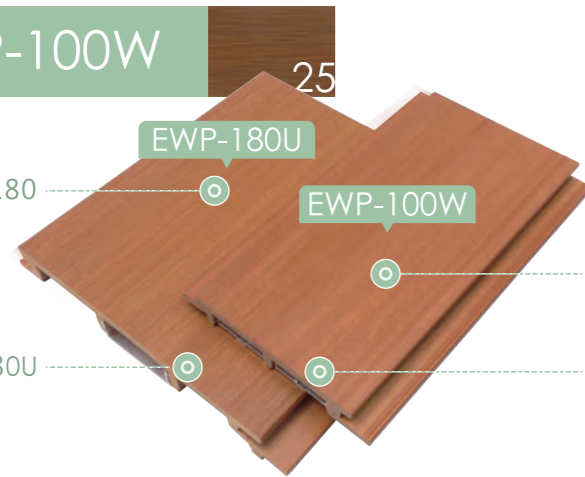
EWP-180U

EWP-100W

格柵裝飾條EWP100

鋁180U

鋁100W



Range of application : Exterior Wall Cladding
EWP-180U Dimension : 203mm x 25mm
Effective width 189mm-Tiling/175mm-Stacked
WPC decorative articles EWP180 x 1
Aluminum base 180U x 1

EWP-100W Dimension : 122mm x 16mm
Effective width 105mm
WPC decorative articles EWP100 x 1
Aluminum base 100W x 1

Length : 300cm

MT-181

戶外地板 | 戶外牆板

格柵裝飾條M181

鋁18T



MT-181

尺寸：181mm x 25mm
長度：300cm

Range of application : Exterior Decking, Exterior Wall Cladding
MT-181 Dimension : 181mm x 25mm Length : 300cm
WPC decorative articles M181 x 1 Aluminum base 18T x 1

Range of application : Side Cover ,Angle Side Cover ,Decoration strip
L5009 Dimension : 50mm x 59mm Length : 300cm
WPC decorative articles 5009 x 2 Aluminum base L50 x 1
I5009 Dimension : 50mm x 9mm Length : 300cm
WPC decorative articles 5009 x 1 Aluminum base I50 x 1

Range of application : Roof ridge, Wall panel edging corner
L60W U Shape / Powder Coating
Dimension : 62mm x 62mm Length : 300cm
L60F Insert Shape / Aluminum original finishes
Dimension : 78mm x 78mm Length : 300cm

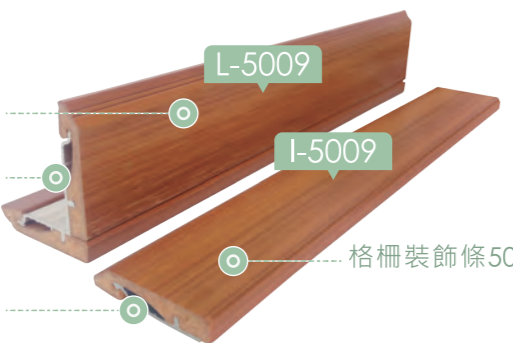
L-5009 | I-5009

收邊條 | 裝飾條

格柵裝飾條5009x2

鋁L50

鋁I50



L-5009

尺寸：50mm x 59mm

I-5009

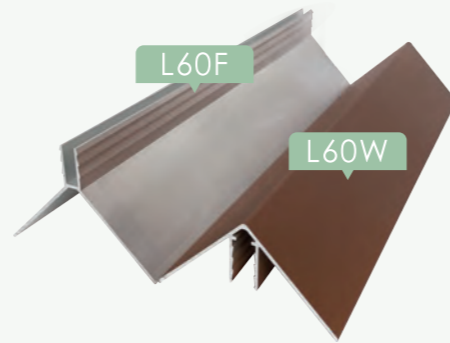
尺寸：50mm x 9mm
長度：300cm

L60W | L60F

屋脊 | 轉角收邊條

L60F

L60W



L60W 母槽/粉體烤漆

尺寸：62mm x 62mm

L60F 公槽/鋁原色

尺寸：78mm x 78mm
長度：300cm

COLOUR

型錄顏色僅供參考!
Product consists of high wood powder with molecular polymerization, colour swatch available for reference only!

07

桃木色

09

黑胡桃

20

雪松色

24

鐵木灰

25

深柚色

26

淺胡桃色

61

緬柚色

63

風化灰

66

淺胡桃色



專業五金配件 請洽業務人員!

Specialize hardware accessories For information, please contact our sales staff!

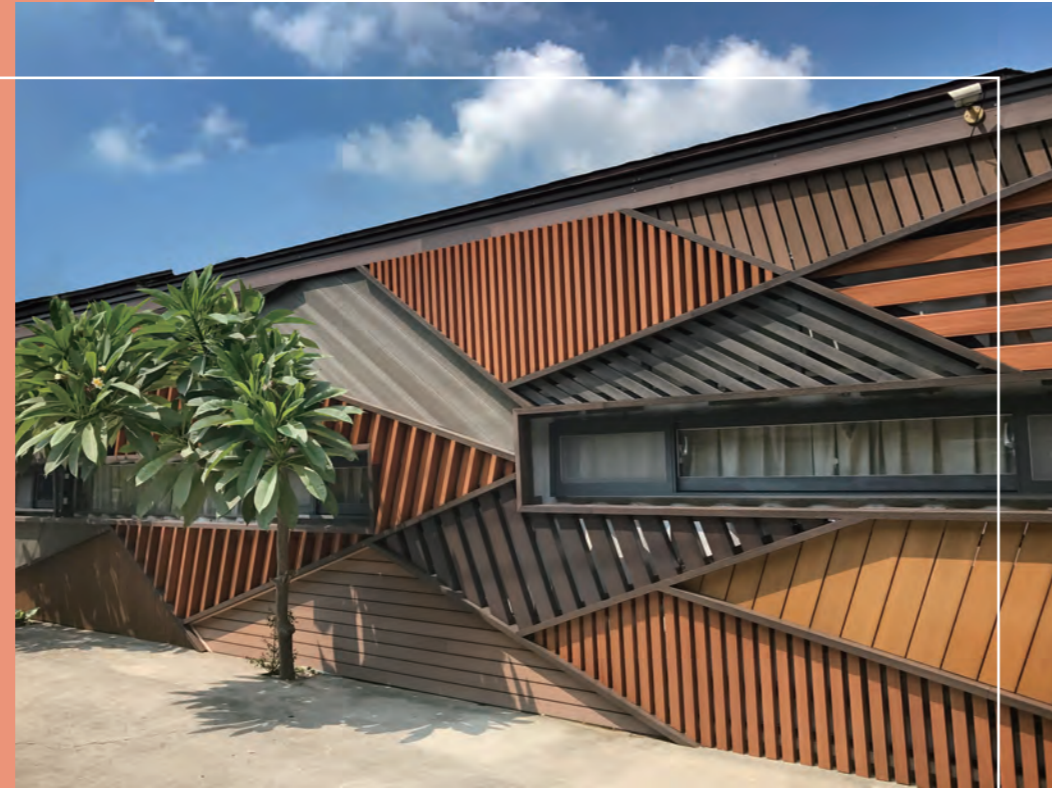
Griling Series

Hollow cavity profiles reduce the thermal conductivity which in turn greatly reduce the energy transmission losses

Insulation and heat preservation enable energy saving

Texture and colour combination showcase the vitality of wood

Flexible design which allow creative unlimited possibilities



格柵安裝示意及注意事項:

- 1.將角材安裝於牆面上(注意水平)·距離依型材規格而異。
* 角材種類可為鋁材、實木、塑木、C型鋼...考量現場條件
* 牆面如果平整度夠，又可以打釘安裝時可以不需要安裝角材，直接將鋁基座固定於牆面即可。
- 2.將鋁基座依格柵設計間距固定於與角材接觸點。
- 3.將塑木格柵利用橡膠錘輕敲，以達到與鋁基座密合。
- 4.視現場需求進行最後封邊。封邊方式有二種：
 - a.直接利用塑膠邊蓋進行封邊。
 - b.利用原材質裁切45度角對接。
- 5.完成。

Grille installation procedures and precautionary information :

1. Install the angle section on the wall (take note of alignment), the span varies according to the profile specifications.
*Types of angle section could be aluminum, wood, wood composite, C steel channel ... depending on site requirement.
*If the wall surface is relatively flat and could be nailed, the aluminum base could be directly fitted to the wall.
2. Align the full length aluminum base across the angle section and fixed at intersection points.
3. Using a mallet, tapped the fixture of the aluminum base and fitted it to the angle section.
4. Based on the site requirement, there are two ways in which the end side could be sealed : a.Directly use plastic side cover to seal the end side. b.Using the wood composite and cut 45 degree joining to seal the end side.
- 5.Complete.

格柵系列

天花
外牆遮陽
百頁
遮陽門窗

AluCo Wood 14P

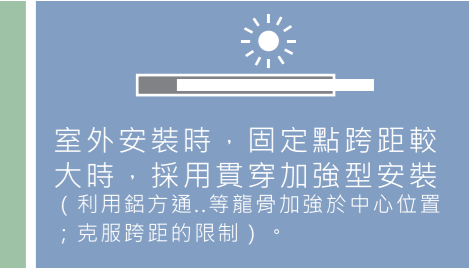
Grille Series
Ceiling
Facades shade
Blinds
Louvers door and window



For Indoor
installation, use
small segment
point installation



For Outdoor
installation, use
full length
installation



Outdoor installation, if the span for the fixing points are large, adopt reinforcement throughout the full length installation (Using aluminum rectangular tube... keel etc. strengthening in the structure; to overcome the large span)

貫穿型安裝 - 室外牆面格柵

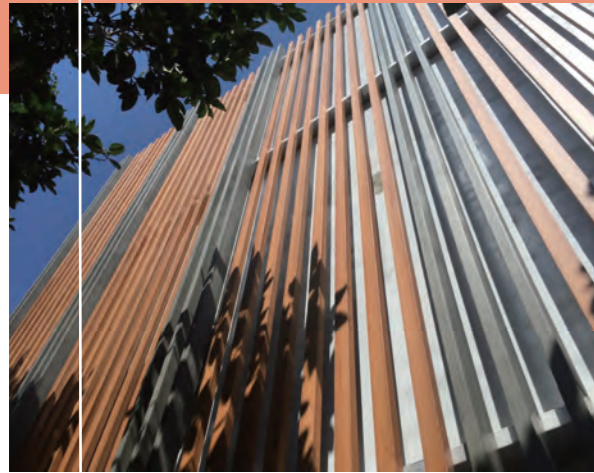
Outdoor type throughout the installation - outdoor metope grille

Model / Aluminium base 型號 / 鋁基座	Dimensions (Width x Thickness) 尺寸 (寬x厚)	Aluminium fixed base distance / cm 鋁基座固定距離 / cm		
		Horizontal Install 牆面_橫向安裝	Vertical Install 牆面_直向安裝	Ceiling Install 天花安裝
M6040/M60	60x40mm	100Cm	150Cm	150Cm
M40100/M40	40x100mm	100Cm	150Cm	150Cm
M12050/M120	120x50mm	150Cm	150Cm	150Cm
M12060/M120	120x60mm	150Cm	150Cm	150Cm
H6080/H60	60x80mm	150Cm	150Cm以上	****
S6080/S60	60x80mm	150Cm以上	150Cm以上	****
S60100/S100	60x100mm	150Cm以上	150Cm以上	****
M8014	80x14mm	100Cm	100Cm	****

以上數據僅供參考·請依現地條件調整!

Griling Series

Weather resistance, non-toxic, lead free, formaldehyde free
 Do not deteriorate, crack, brittle, chalk
 Waterproof, flameproof with fire retardant properties



格柵天花系列 施工優點

- 安裝完成隱藏五金配件，提升視覺美化效果。
- 格柵間距，龍骨間距自由設計，皆能滿足現場需求。
- 維修便利性，單獨拆換。
(因採用單支安裝方式，局部損壞時，修繕拆裝非常容易)。
- 封邊蓋安裝便利。

CONSTRUCTION ADVANTAGES

The installation conceals the hardware accessories; thus beautifying and enhancing the visual effect of the installation.

As the spacing between the grids could be easily and freely modify, such installation methods are favorable when on site minor re-adjustment are required.

Ease of maintenance and allow individual section replacement.
 (By using individual section installation, when there are localized damages, the repair and replacement works will be convenient and easy)

Convenient to seal the end side.



牆板系列

M181多功能板
EWP-180U 多功能外牆板
EWP-100W外牆平面板

設計，原創的靈魂~每一個設計都是文化的承接建築的美，在於每個千變萬化巧思的結合。每一個細節都被重視且妥善運用中空多腔式結構，降低熱傳導率減少能源傳散損失隔熱、保溫達到節能效果優良耐候特性、抗老化、延緩紫外線的破壞不變質、不開裂、不脆化、不粉化。防水、防焰、阻燃效果佳。

**M181 牆板安裝示意及注意事項：**

- 1.安裝角材，角材間距 $\leq 100\text{cm}$ ($\leq 60\text{cm}$ /詳附註)。
(角材種類:塑木角材、實木角材、C型鋼角材...等視現場需求。)
- 2.需注意角材平整度。
- 3.遇面板對接時，銜接處須密拼(不留縫)。
- 4.面板間以專用鋁型材18H固定。
- 5.視現場需求進行最後封邊。封邊可直接利用"封邊板材"打釘固定在側邊即可。
(封邊板材:XTI-14、L5009等...視實際需求)。
附註:面板M181下方的鋁基座(18T)視實際需求可免安裝,但角材間距需 $\leq 60\text{cm}$ 。

M181 wall cladding installation procedures and precautionary information :

1. When installing joist / keel, spacing span of less than 100cm.($\leq 60\text{cm}$ Note)
(Types of joist : wpc joist, timber joist, C channel steel joist etc, depending on requirement)
2. Care should be taken for flatness of the joist against the wall.
3. When docking the end of one wall cladding to the beginning of the next wall cladding, the ends converge should be closely fitted (with no gap).
4. Between the wall cladding, the sides are docked and secured with aluminum profile 18H.
5. Based on the site requirement, the edges could be covered.
To cover the edges, "trimming edge panel" could be nailed direct for securing.
(trimming edge panels : XTI-14、L5009... etc, depending on requirement)

Note: Depending on requirement, aluminum base profile (18T) for M181 wall cladding may be used for installation but the spacing or span of the joist must be $\leq 60\text{cm}$.



◎ Stacked installation 疊式安裝

◎ Flat installation 平面式安裝

EWP-180U多功能外牆板示意及注意事項：

- 1.安裝角材，角材間距小於100cm。
(角材種類：塑木角材、實木角材...等視現場需求。)
- 2.需注意角材平整度。
- 3.遇面板對接時，銜接處須密拼(不留縫)。
- 4.面板間以木螺絲釘配合卡榫固定。
- 5.視現場需求進行最後封邊。封邊可直接利用"封邊板材"打釘固定在側邊即可。
(封邊板材：XTI-14、L5009等...視實際需求)。

EWP-180U Multi-function exterior wall panel schematic drawings

1. When installing joist / keel, spacing span of less than 100cm.
(Types of joist : wpc joist, timber joist,..... etc, depending on requirement)
2. Care should be taken for flatness of the joist against the wall.
3. When docking the end of one wall cladding to the beginning of the next wall cladding, the ends converge should be closely fitted (with no gap).
4. Between the wall cladding, Use wood screws with fixed latch.
5. Based on the site requirement, the edges could be covered.
To cover the edges, "trimming edge panel" could be nailed direct for securing.
(trimming edge panels : XTI-14、L5009... etc, depending on requirement)

**EWP-100W外牆平面板示意及注意事項：**

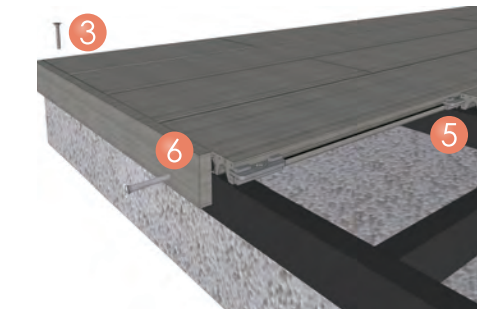
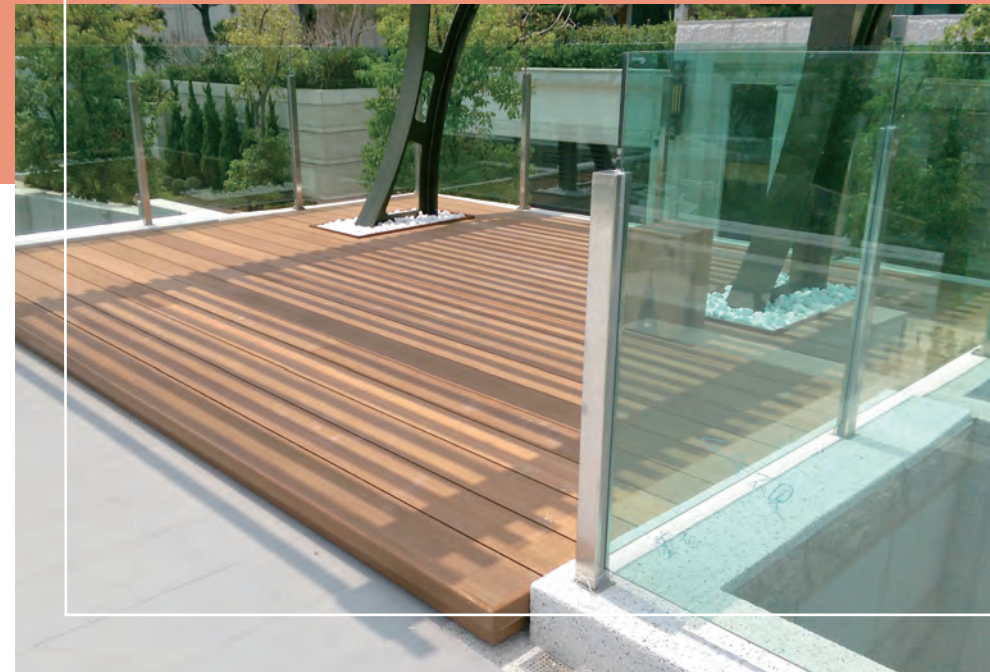
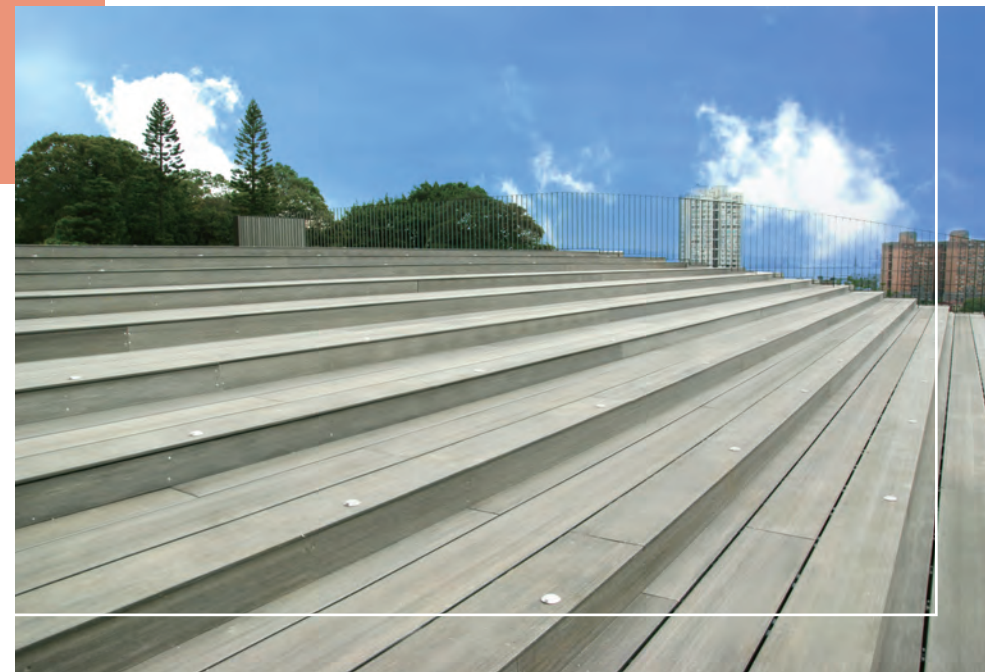
- 1.安裝角材，角材間距小於60cm。
(角材種類：塑木角材、實木角材...等視現場需求。)
- 2.需注意角材平整度。
- 3.遇面板對接時，銜接處須密拼(不留縫)。
- 4.面板間以木螺絲釘配合卡榫固定。
- 5.視現場需求進行最後封邊。封邊可直接利用"封邊板材"打釘固定在側邊即可。
(封邊板材：XTI-14、L5009等...視實際需求)。

EWP-100W Exterior wall flat panel schematic drawings

1. When installing joist / keel, spacing span of less than 60cm.
(Types of joist : wpc joist, timber joist etc, depending on requirement)
2. Care should be taken for flatness of the joist against the wall.
3. When docking the end of one wall cladding to the beginning of the next wall cladding, the ends converge should be closely fitted (with no gap).
4. Between the wall cladding, Use wood screws with fixed latch.
5. Based on the site requirement, the edges could be covered.
To cover the edges, "trimming edge panel" could be nailed direct for securing.
(trimming edge panels : XTI-14、L5009... etc, depending on requirement)

Decking Series

AluCoWood Decking has the combination of "aluminum alloy structure", avoid decking from fracture on elevated area, preventing risk of falling or dropping and promote safety. The decking effectively absorb ultraviolet light & radiant heat, reducing discomfort from reflection of sunlight. The gap between the decking provide good drainage and ventilation function.



MT181地板安裝示意及注意事項:

1. 安裝角材，角材間距MT181為40~45cm。
(角材種類:塑木角材、實木角材、C型鋼角材...等視現場需求。)
2. 需注意角材水平與洩水坡度。
3. 安裝面板時，第一片與最後一片面板正面下釘固定於角材上。
4. 遇面板對接時，銜接處須密拼(不留縫)且角材面寬不得低於4cm)。
5. 面板間以專用扣件固定，以產生5~6mm洩水縫。
6. 視現場需求進行最後封邊。封邊可直接利用"封邊板材"打釘固定在側邊即可。
(封邊板材:XTI-14、DBO0613、L5009等...視實際需求)。

Aluco-wood MT181 decking installation procedures and precautionary information :

1. When installing joist / keel, MT181 the spacing or span should be 40~45cm.
(Types of joist : wpc joist, timber joist, C channel steel joist etc, depending on requirement)
2. Care should be taken for leveling and water discharge slope leveling for the joist.
3. During installation of decking, the first roll and the last roll of the decking should be nailed direct from the top and secure to the bottom joist.
4. When docking the end of one decking to the beginning of the next decking, the ends converge should be closely fitted (with no gap) and the width of the joist directly supporting below the ends converge should be not less than 4cm. If the width of the joist use directly supporting below the ends converge is only 2.5cm, additional piece of joist must be added to make the width 5cm.
5. Between the decking, the sides are docked and secured with fasteners, and bring about a 5mm gap for water discharge.
6. Based on the site requirement, the edges could be covered.
To cover the edges, " trimming edge panel " could be nailed direct for securing.
(trimming edge panels : XTI-14, DBO0613, L5009... etc, depending on requirement)

地板系列

AluCo Wood 20P

Decking Series

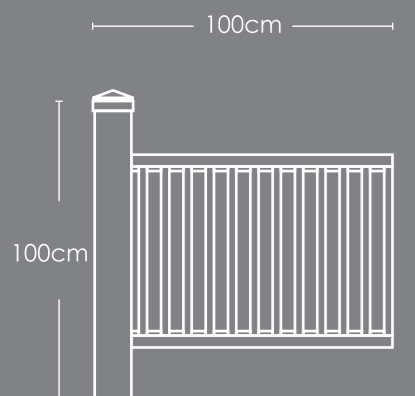
M181多功能板

鋁新木地板因結合"鋁合金結構"，平安性提升，避免高架地板斷裂，人員踩空摔落之危險。面板有效吸收紫外線、輻射熱，減少陽光反射的不適感，面板之間的縫隙構築了良好的排水及透氣功能。

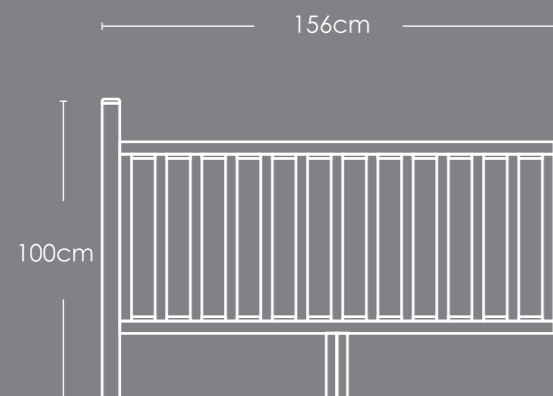


鋁新木欄杆-組裝容易，樣式組合多元，其五金配件完美隱藏，外為WPC獨有的木質美感與觸感，內為鋁合金結構強度，安全堅固又美觀。

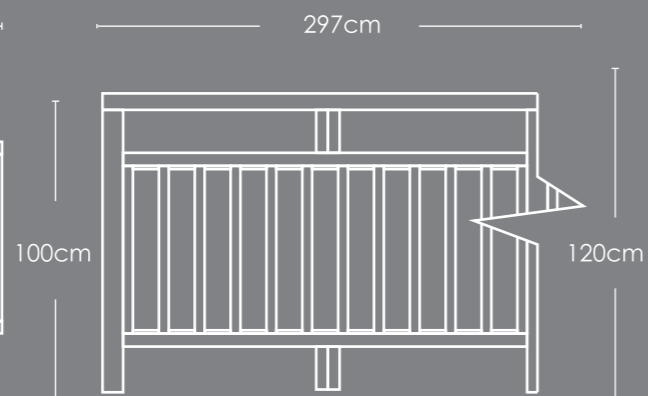
樣式可依現地需求設計規劃！



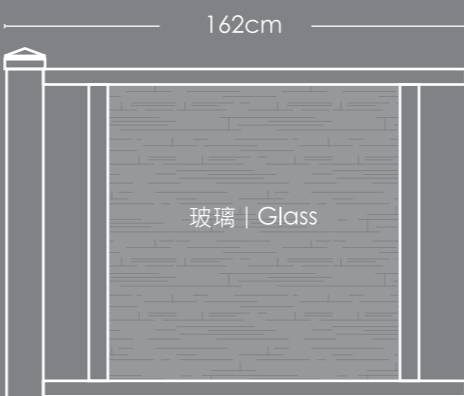
R01-1 庭園欄杆-標準型
Garden Railings-Standard Type



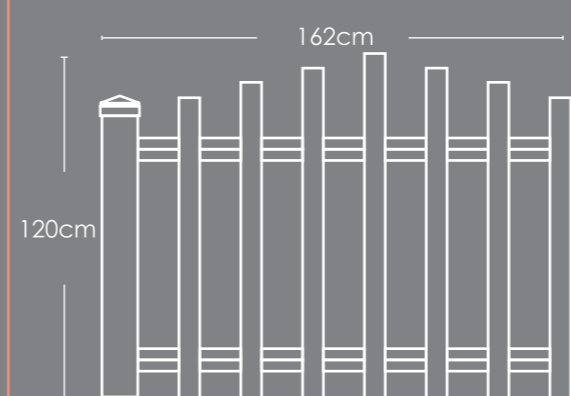
R02-1 庭園欄杆-簡易型
Garden Railings-Simple Type



R03-1 庭園欄杆-扶手型
Garden Railings-Armrest Type



F03-2 柵欄圍籬-承重式
Fencing Model-Load Bearing Type



F01-1 柵欄圍籬-直立式
Fencing Model-Upright Type



AluCoWood Railing - easy assembly, stylish with multiple combination application, hardware accessories perfectly conceal, outer make with high quality WPC with exterior appearance resembles the unique beauty, texture and aesthetic of natural wood, core aluminum alloy with structural strength, safe, stable and beautiful.

花架系列

鋁新木花架-分為簡易型、標準型、承重結構型，尺寸多元從3x3到12x12皆有，另外亦可訂製專屬尺寸。
鋁新木花架是以塑木搭配鋁合金的結構組成，結構的主體具有鋁合金的輕量化又有高強度韌性特性，不怕鏽蝕及斷裂...等金屬常見缺點。



標準型庭園花架 Standard Pergola		
尺寸(ft)	外圍最大尺寸(cm)	產品編號
12x12	410x410	T1-12
10x10	350x350	T1-10
8x8	290x290	T1-08
6x6	230x230	T1-06
5x5	200x200	T1-05
4x4	170x170	T1-04

承重結構型庭園花架 Load Structure Type		
尺寸(ft)	外圍最大尺寸(cm)	產品編號
10x10	360x360	T3-10
8x8	300x296	T3-08
6x6	280x280	T3-06
5x5	240x240	T3-05
4x4	200x200	T3-04



簡易夾樑型庭園花架 Simplify Pergola Design		
尺寸(ft)	外圍最大尺寸(cm)	產品編號
8x8	290x290	T2-08
6x6	230x230	T2-06
5x5	200x200	T2-05
4x4	170x170	T2-04
3x3	140x140	T2-03



AluCoWood Pergola - divided into Simplify Type, Standard Type, Load Structure Type, size available from 3x3 to 12x12 and can customize to exclusive sizes.

AluCoWood Pergola has a structural core composed of aluminum alloy composite. The structure is not only lightweight, high strength but also has slight elastic properties and does not break easily, does not corrode and fracture.... overcome shortcoming problems of other common materials.

涼亭系列

Gazebo Series
Pergola Series
Glass curtain
Conservatory

涼亭廊架系列
玻璃帷幕
陽光房



鋁新木涼亭廊架系列 | 玻璃帷幕 | 陽光房-可選用型材多元，
搭配組裝創意無限。完美展現實木質感並延伸建築空間之美。

亦可訂製自己的專屬設計空間。



AluCoWood Kiosk, Gazebo, Pavilion, Walkway Shelter Series / Glass Curtain / Conservatory – Large range of profiles available, unlimited combinations and assemblies possibilities. Perfectly display the beauty, texture and aesthetic of natural wood and extend the beauty of architectural surrounding.

Can Customize To Individual Exclusive Design Environment.

自然庭園中搭配實木質感的“鋁新木庭園照明系列”，亮了您的專屬森林又不失自然，安裝簡單方便，只需組裝燈具與柱子本體，將柱子預埋放土壤中或選用固定基座，電線藏於柱體內不外漏，美觀又安全。

❖本產品電源供應器採用國際大廠產品，皆通過UL,EMC,CE,CB認證。



指示燈-120雙面照明

MD-S1212D-120

20cmx40cmx123cm

MD-S1212D-240

20cmx40cmx243cm

Instruction Sign Lighting -120 two sided lighting

指示燈-6080雙面照明

MD-H68A-120

40cmx8.8cmx121cm

MD-H68A-240

40cmx8.8cmx241cm

Instruction Sign Lighting -6080 two sided lighting

庭園立燈-日式單面照明

MD-S1212C-90

13cmx13cmx93cm

MD-S1212C-180

13cmx13cmx183cm

Garden Stand Lighting -Japanese Style single sided lighting

庭園立燈-雙面照明

MD-S1212B-90

13cmx13cmx93cm

MD-S1212B-180

13cmx13cmx183cm

Garden Stand Lighting-two sided lighting

庭園立燈-四面照明

MD-S1212A-60

13cmx13cmx63cm

MD-S1212A-90

13cmx13cmx63cm

Garden Stand Lights -four sided lighting

AluCoWood Landscape Lighting Series – Natural garden lighting that resemble the beauty, texture and aesthetic of natural wood, brightening the landscape without losing its nature look, easy to install, simply assemble the lamp to the top of the column body, the column is either embedded in the soil or choose to be fixed to the ground with metal base, all electrical wires are hidden in the body of the column, elegant, beautiful and safe.

The electrical and power parts for the Lighting product are supplied by leading international supplier, comply with UL, EMC, CE, CB certification.



戶外傢俱

鋁新木戶外庭園桌椅-有著實木質感更具有防腐、防焰、防水、抗白蟻、不變形、不開裂等特性，品質穩定，使用年限長，減少資源浪費。

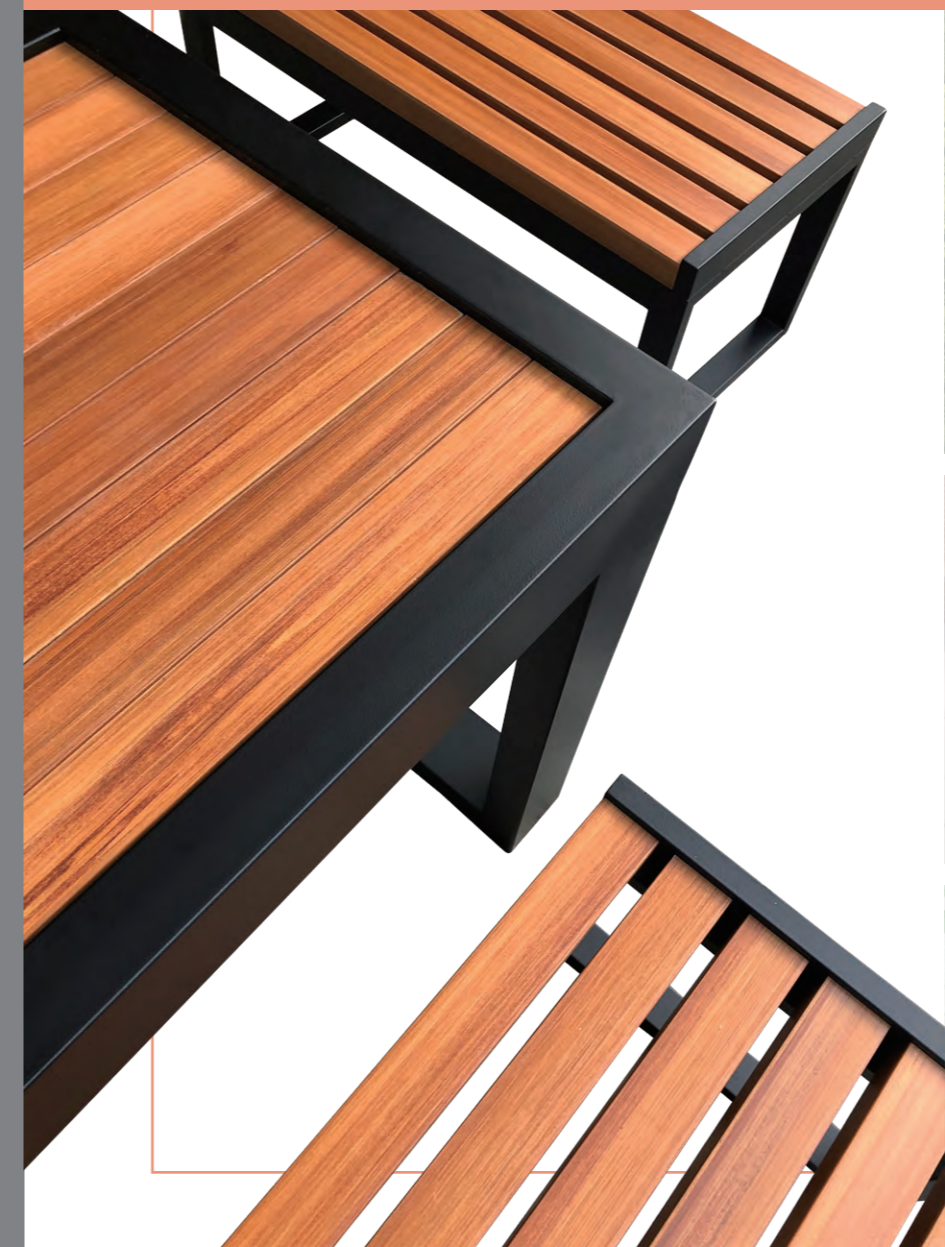
樣式可依現地需求設計規劃

戶外庭園桌
FTU-T02B-12880
128cmx80cmx75cm

戶外庭園椅
FTU-N0101
130cmx44cmx41cm



AluCoWood Outdoor Garden Furniture – Resemble the beauty, texture and aesthetic of natural wood; have characteristics like corrosion resistance, flame retardant, water resistance, termite resistance, do not deform or crack and etc. Stable quality, long service life and reduce wastage of resources.



AluCo-Wood System為W P C與鋁兩種材質相嵌結合的新型材料，兩種型材之間透過鋁型材的轉變，組合成不同型材尺寸，每個尺寸之間皆被設計為可相互搭接，所以如同“樂高”一般可自由搭配成各種戶外景觀系統！



戶外大門
格柵門
電動滑門

Main Door, Gate
Grille Door
Electric Sliding Door



樓梯踏板
層板
戶外插座
垃圾桶
餐車

Staircase Step Panel
Flat Panel
Outdoor Electrical Socket
Trash Bin
Fast food cart



AluCo Wood System consists of Wood Plastic Composite and aluminum, two types of embedded combination new material, using aluminum profile to transform the two types of materials into various profile sizes, every size are designed to be mutually able to overlap each other, just like "Lego" generally free to mix in varieties to form different types of outdoor landscape systems!



募集全球合作夥伴 Seeking Globle Partner



杉澤國際有限公司 WOOD EASY International Co.,LTD

 搜尋“杉澤國際有限公司WOOD EASY”

 @bca0735e

428台中市大雅區中山八路97巷2號

No.2, Ln. 97, Zhongshan 8th Rd., Daya Dist., Taichung City 428, Taiwan (R.O.C.)

Http://www.woodeasy.com.tw MAIL:aluwood@gmail.com T +886-4-2567-7397 F +886-4-2560-0174